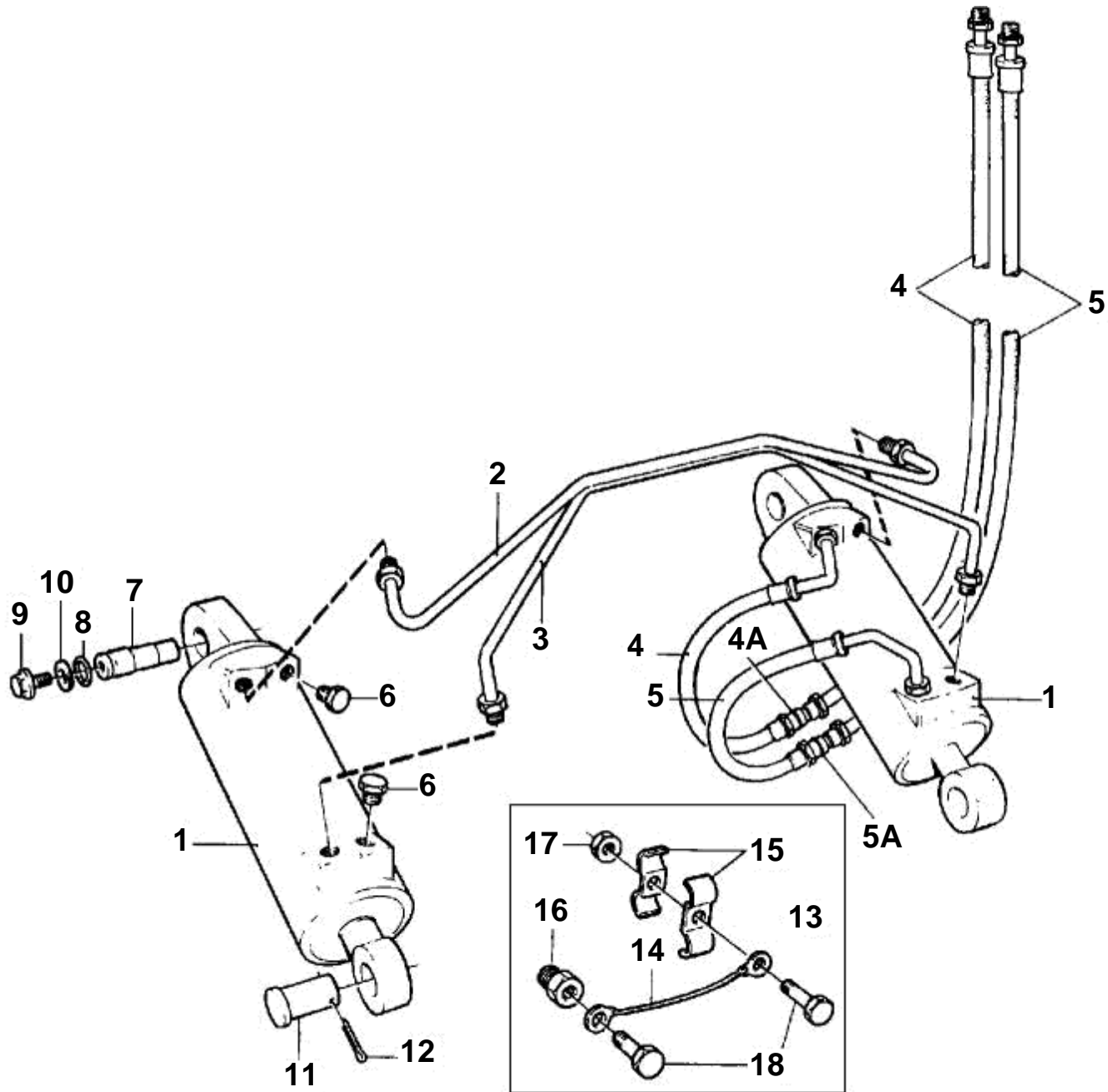


DP, DPX - HYDRAULIC CYLINDERS & GROLIND CABLE KIT



DP, DPX - HYDRAULIC CYLINDERS & GROLIND CABLE KIT

REF	PART NO.	QTY	DESCRIPTION
1	872837	2	Hydraulic cylinder
2	854696	1	Tube
3	854697	1	Tube
4	873228	1	Hydraulic hose, Front
4a	960214	1	• O-ring
5	873229	1	Hydraulic hose, Rear
5a	960214	1	• O-ring
6	852879	2	Plug
7	872382	2	Pin
8	925053	2	O-ring
9	853060	2	Flange screw
10	853059	2	Washer
11	872126	2	Clevis pin
12	967707	2	Cotter pin
13	854625	1	Ground cable
14		1	• GROUND CABLE
15	854628	2	• Clamp
16	872207	1	• Nipple
17	944456	1	• Nut
18	963545	2	• Screw

7797260 - - 0-0022

GR950270

Upd: 22 NOV 2005

NC PJX-C, PJX-S, SX-C1, SX-CT1, SX-RT1, DP-S, DP-C1, DP-D1, DPX-s, Xact™ STEERING, HS1A

